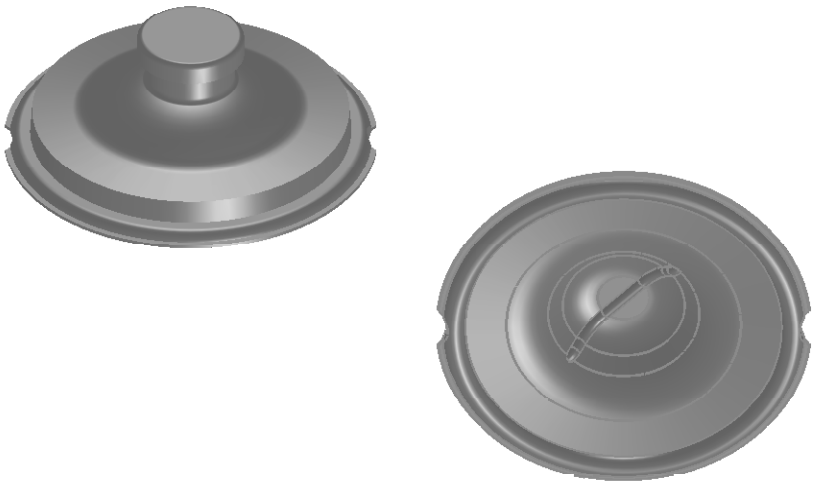
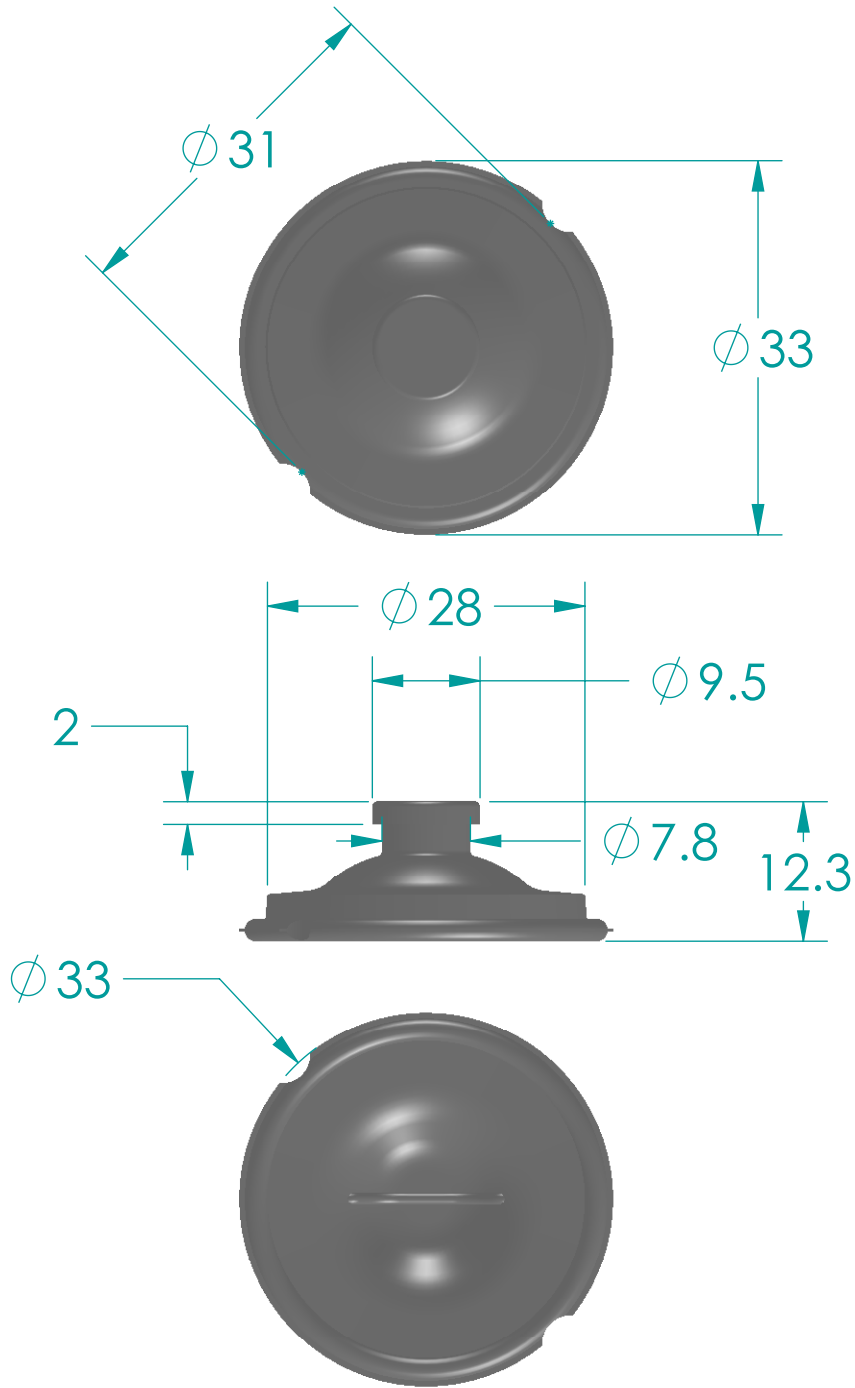



Revision History

Rev	Description	Date	Approved
A	New Drawing & OEM No.	07/04/22	JB



Replacement Diaphragm for:-
 OEM PART NUMBER = DA008B1
 USED ON 1/4" (DN8) Diaphragm Valve

	Name	Date	 DIAPHRAGM DIRECT
Drawn	M.Mc Keon	09/03/22	
Checked			
Material - Butyl (IIR)			TITLE
Complies with CFR 177.2600 and Conforms to USP Class VI Biological Reactivity Tests Section #87 and #88			DD01-SIIR
Size A	FOOT PRINT DIMENSIONS		Rev A
File: DD01-SIIR-RevA			
SCALE: 3:2 mm	Job: 49	Sheet 1 of 1	

Disclaimer - Diaphragm Direct® does not manufacture, represent, nor sell OEM valves or diaphragms manufactured by any other company. Diaphragm Direct® brand diaphragms are not sponsored by any other manufacturers. Any name, model, part number, brand, image, material or referral is for descriptive purposes only. Diaphragm Direct® brand replacement diaphragms are guaranteed to fit OEM equipment and meet or exceed OEM specifications. Diaphragm Direct® brand replacement diaphragms are covered by the standard Diaphragm Direct® limited product warranty.